



## OSB14 - SWIMMING STARTING BLOCK

### OVERVIEW

The OSB14 is a part of the new generation of swimming starting blocks.

It replaces the OSB9 and includes an inclined footrest, which allows a significant improvement of thrust when the swimmer starts. This proven technology has been adapted to this new starting block.

The OSB14 is designed in fibreglass to ensure the platform's robustness while optimising its weight (31kg).

The platform is covered with an anti-slip top providing comfort and safety to the swimmer.

With a smaller base (200x320mm) than the OSB11, this starting block can be installed in pools with minimal floor space. The mounting system is similar to that of the OSB9 - no longer produced to this day - allowing an easier replacement of these units by the new starting block OSB14.

A door at the back of the block allows easy access to the interior to connect the cabling.

### TOP FEATURES

- Adjustable footrest
- FINA compliance
- Small footprint
- Anti-slip surface
- Extended platform surface
- Easy handgrip
- Available in several RAL colors (S = standard)

5017 (S)	9005	3002	7010	1014
.BL	.BK	.RD	.GY	.IV



## AVAILABLE VERSIONS

Two versions are available:

- With Relay Break Detection System (RBD)
- Standard version

Both versions have the same base and top, providing an affordable and evolutive solution: a basic system can be upgraded later to an RBD system.

The footrest can be freely adjusted in length, or disassembled with standard tools.

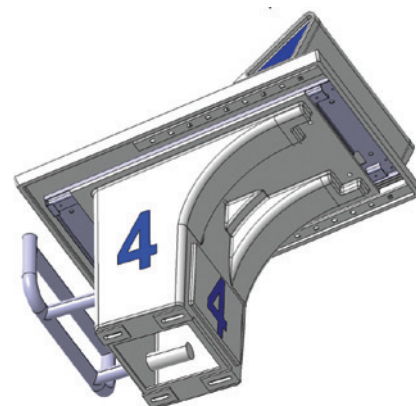
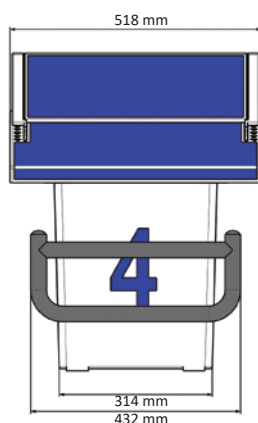
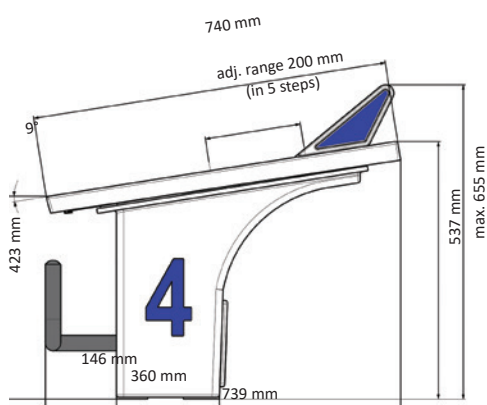
In a fixed cable installation, the various items of the timing system are connected into a lane deck plate which is installed under the centre of each block. This offers physical protection for the cables, connections and speaker.

A start deck plate can also be located next to the acoustic start device.

## STARTING BLOCKS SETS

Set of 4 with RBD	3454.924.TS.xx (xx = color)
Set of 4 simple	3454.934.TS.xx
Set of 5 with RBD	3454.925.TS.xx
Set of 5 simple	3454.935.TS.xx
Set of 6 with RBD	3454.926.TS.xx
Set of 6 simple	3454.936.TS.xx
Set of 8 with RBD	3454.928.TS.xx
Set of 8 simple	3454.938.TS.xx
Set of 10 with RBD	3454.930.TS.xx
Set of 10 simple	3454.940.TS.xx

## DIMENSIONS



## SPECIFICATIONS

Article number	3454.707TS.BL (with RBD)
	3454.708TS.BL (standard)
Overall size	739 x 518 mm (L x W)
Platform size	740 x 518 mm (L x W)
Height	max. 655 mm
Material	fibreglass
Weight	31 kg
RBD contacts	N.O. , max. 100 mA / 12 V
RBD connection	cable with 2x banana plugs
Certifications	RoHS compliant FINA approved

## OPTIONS

### Internal loudspeakers

- For fixed wiring, with 2x banana plugs (3399.600)



### Deck Plate sets

- Deck plate set for a 6-lane swimming pool (3494.956)
- Deck plate set for an 8-lane swimming pool (3494.958)
- Deck plate set for a 10-lane swimming pool (3494.950)
- Start deck plate set for acoustic start device (3494.962)



### Dynamometer

- Dynamometer (for calibration of the RBD) (9051.1015)

Intellectual property of Swiss Timing. All rights reserved, especially those of reproduction and distribution to third parties.