

INT004

CONVERTER & DISTRIBUTOR RS232-RS422



3394.500.02
Version 1.2
Edition June 2008

CAUTION

- ❑ **Protect the equipment against splashing, rain and excessive sun rays.**
- ❑ **Never use the device if it is damaged or insecure.**
- ❑ **Do not open the case; there is nothing that needs servicing inside it. Nevertheless, if the case must be opened, you must call for some qualified personnel. The power supply cable must be disconnected before opening the case.**
- ❑ **The information contained within this document may be modified without warning.**
- ❑ **Swiss Timing LTD cannot be held responsible for errors within this document nor for any subsequent nor consequential damages (including loss of profit) arising from its provision, nor performance or use of products described herein, which will be covered by another guarantee, contract or other legal document.**



This symbol indicates that this product should not be disposed with household waste. It has to be returned to a local authorized collection system. By following this procedure you will contribute to the protection of the environment and human health. The recycling of the materials will help to conserve natural resources (valid in the EU member states and in any countries with corresponding legislation).

TABLE OF CONTENTS

1	INTRODUCTION	1
2	SWITCH.....	1
3	CONNECTORS & LED.....	3

1 INTRODUCTION

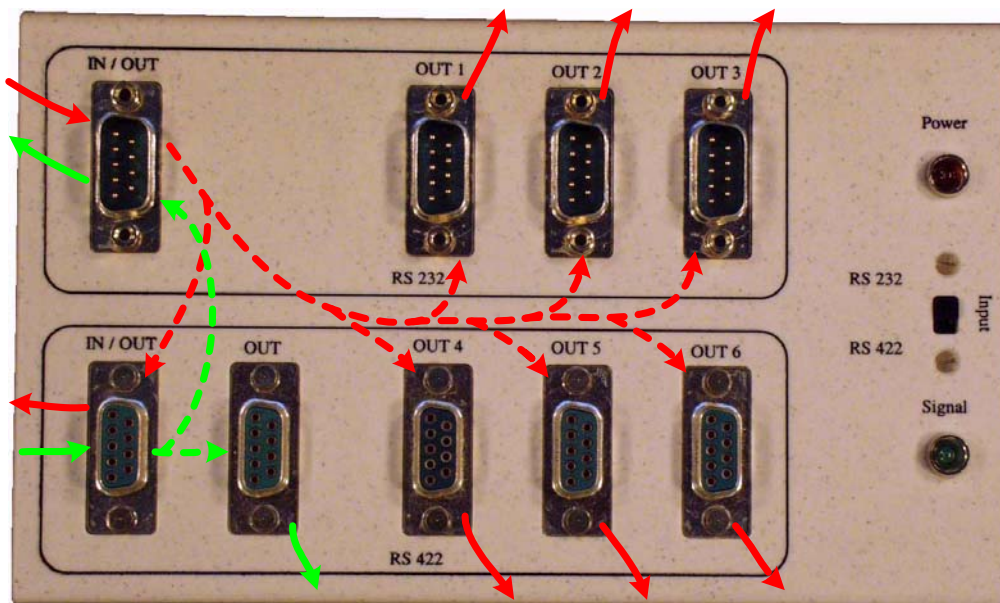
The INT004 is used to convert serial line between RS232 and RS422 and to distribute the signal up to seven devices. It can be powered by a battery (DC) or by the main power supply (AC).

2 SWITCH

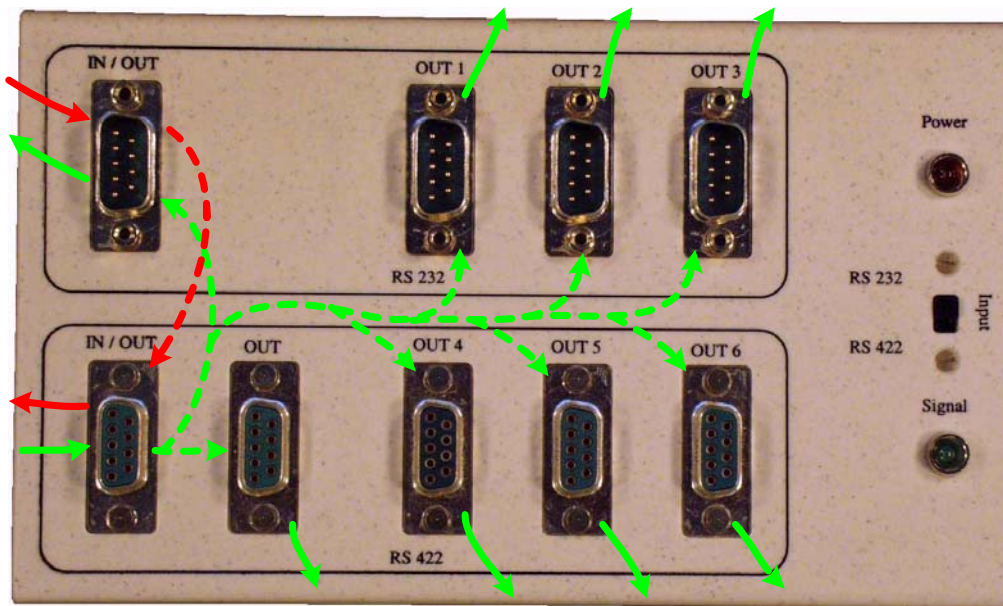
Input (on the top of the box):

This switch selects which input (RS232 or RS422) is used to give the signal on the outputs.

- **RS 232 position:**



- RS 422 position:



Loop Res. (on the side of the box):

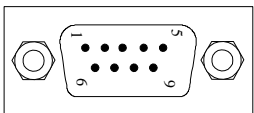
This is useful only when you are using the RS422 IN/OUT to connect or disconnect the loop resistor.

This switch must be:

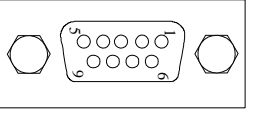
- in the **ON** position if the RS422 OUT is not connected.
- in the **OFF (OUT used)** position if the RS422 OUT is connected.

3 CONNECTORS & LED

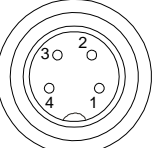
RS 232:

	IN/OUT	2: RX 3: TX 5: GND pin 1, 4 and 6 are connected together
	OUT1, OUT2, OUT3	3: TX 5: GND pin 1, 4 and 6 are connected together

RS 422:

	IN/OUT	3: TX- 4: TX+ 5: RX- 6: RX+
	OUT, OUT4, OUT5, OUT6	3: TX- 4: TX+

DC Input (10 to 40 VDC, fuse: 500mA T):

	1: DC input + 2: DC input - 3: not used 4: not used
---	--

AC Input:

- 85 to 264VAC, 50/60Hz, fuse 800mA T

Power LED (red):

- This LED is on if the power supply (AC Input and/or DC Input) is OK.

Signal LED (green):

- This LED blink when a data arrive on the input (RS 232 or RS 422 according to the position of the Input switch).

